

**Note:** Immediately after the installation of Digital Lightning 8025, the ignition shall be turned on and the headlights shall be switched on to the "Auto"-mode. When the headlight start-sequence is finished, please activate the high beam for at least 5 seconds to allow Digital Lightning 8025 to calibrate against the car. This operation only needs to be performed once after the installation. When this calibration is finished, Digital Lightning 8025 will be flashing 3 times to indicate that it has saved the configuration.

#### Instructions how to deactivate and activate Digital Lightning 8025:

Digital Lightning 8025 is always delivered in an active mode. Should you however wish to deactivate its function, please follow the steps below. The same steps will apply when you wish to activate the unit again.

1. Let the main beam light be turned off for at least 5 seconds.
2. Activate the configuration mode by flashing with the main beam 10 times during a period of 5 seconds, i.e. 500ms between each flash.
3. Wait 1 second.
4. The main beam will light up to indicate that you have successfully enabled the configuration mode. The configuration mode will last for 5 seconds.
5. During the configuration mode, flash with the main beam light once to switch between the "activated" or "deactivated" mode.
6. Wait for the main beam light to turn off. This indicates that the configuration mode is now disabled.
7. Confirm that you have completed the configuration mode by flashing with the main beam 10 times during a period of 5 seconds, i.e. 500ms between each flash.
8. Wait 1 second.
9. Digital Lightning 8025 will now indicate that it has saved the configuration by flashing with the main beam as follows:
  - One long flash: The flashlight function is deactivated.
  - Two short flashes: The flashlight function is activated.

#### **Modernum – a trademark within Sepab Fordonsprodukter AB**

**visiting/postal address:**

Bergkällavägen 31B, SE-192 79 Sollentuna

**telephone:** +46 8 626 95 00

**e-mail:** info@modernum.se

**web:** www.modernum.se



## Digital Lightning 8025

**A professional kit designed for cars with CAN-controlled headlights. The Digital Lightning 8025-kit includes a digital controller together with fused cablings with DT-connector for an easy connection to a LED light bar, or other external light. Digital Lightning 8025 also supports Automatic High Beam-function, when activated on the car.**

Digital Lightning 8025 version 1.1.1.0323 is intended for the following models:

**Audi**

A4\* 2016- (F4)

**Volkswagen**

Passat\* 2016- (3C)

Tiguan\* 2017- (5N)

**Volvo**

XC60 2018- (V426)

XC40 2018- (V316)

S90 2018- (V541)

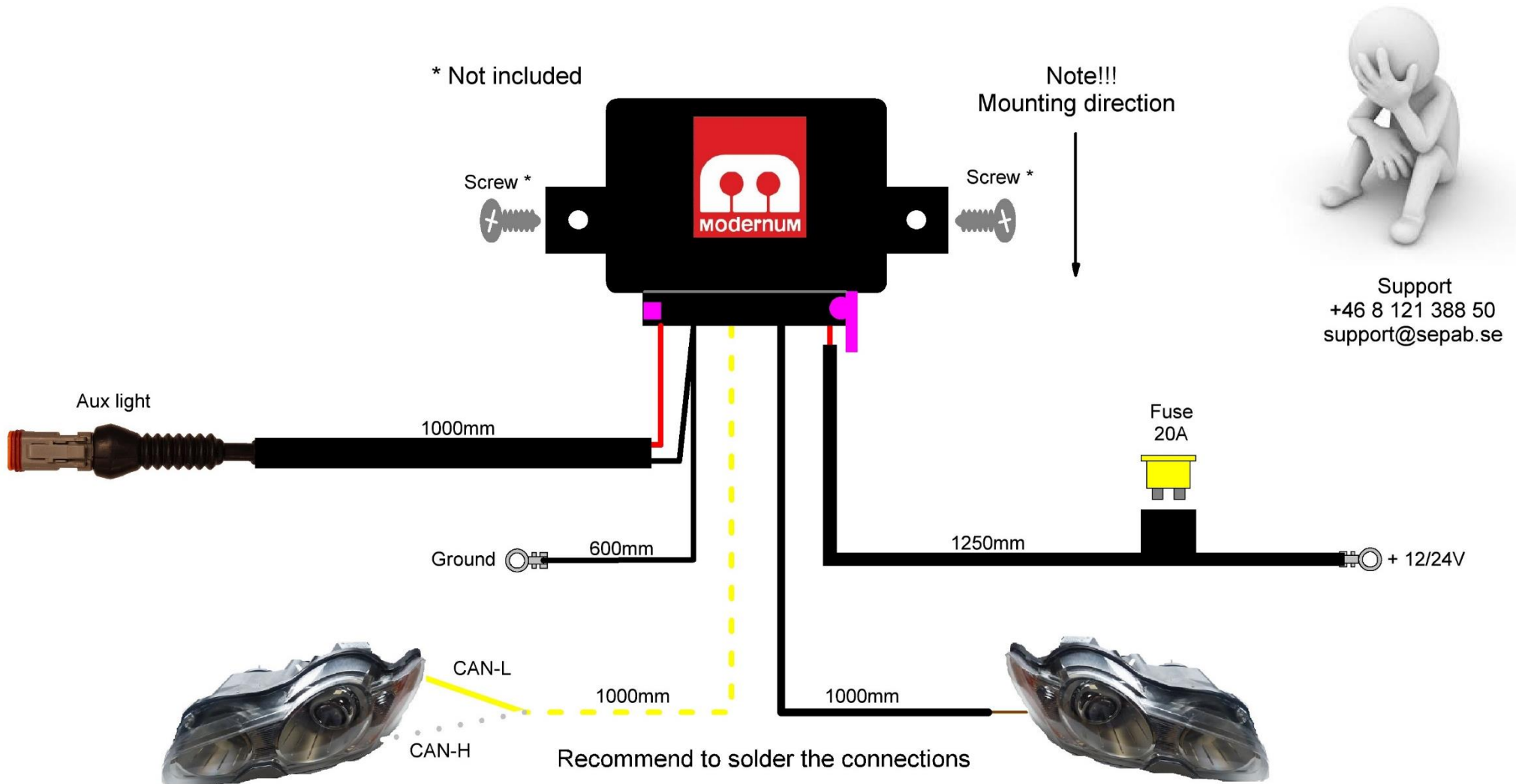
S90L 2018- (L541)

V90 2018- (V542)

V90CC 2018- (V543)

XC90 II 2018- (V526)

*\* Versions with LED Matrix / LED High*



Support  
+46 8 121 388 50  
support@sepab.se

Note!  
White (CAN-H) and yellow (CAN-L) twisted cable; Digital signal in.

Note!  
Double insulated cable black/brown; Analogue signal in.

Please ensure that the cable ends of those cables which are not used, are properly sealed.