

OTHER ARTICLES IN THE ANALOG LIGHTNING-FAMILY:

Need to add more external lights to Analog Lightning?

Auxiliary DT-cable (65-3025-DT)

Additional adaptercables

Adapter DT 1x2-pole to 1x3-pole (65-DT1213)

Adapter DT 1x2-pole till 1x4-pole (65-DT1214)

Adapter DT 1x2-pole till 2x2-pole (65-DT1222)

Adapter DT 1x2-pole till 2x4-pole (65-DT1224)

Complete kits

Analog Lightning 3025 Minus (65-3025M)

Analog Lightning 3025 Plus (65-3025P)

Analog Lightning Reverse 2025 Plus (65-2025P)

Spare parts

Electronic controller EB3025 MINUS (65-3025 MINUS)

Electronic controller EB3025 PLUS (65-3025 PLUS)

Electronic controller EB2025 PLUS (SSPS25A)



65-3025-DT Auxiliary DT-cable for Analog Lightning

This auxiliary cable enables you to add an additional LED light bar or other external light, to an existing Analog Lightning. The cable can be used with any of our Analog Lightning-controllers.

Modernum – a trademark within Sepab Fordonsprodukter AB

visiting/postal address:

Bergkällavägen 31B, SE-192 79 Sollentuna

telephone: +46 8 626 95 00

e-mail: info@modernum.se

web: www.modernum.se



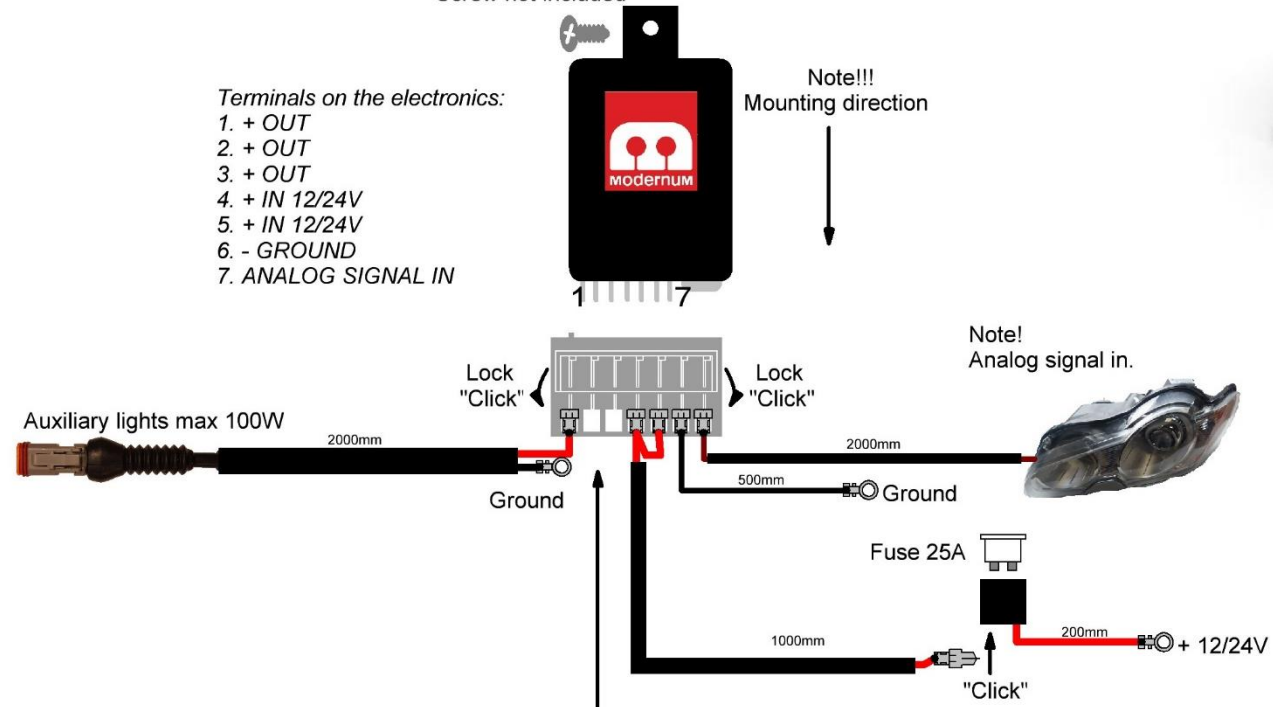
Support
+46 8 121 388 50
support@sepab.se

* Screw not included

Terminals on the electronics:

1. + OUT
2. + OUT
3. + OUT
4. + IN 12/24V
5. + IN 12/24V
6. - GROUND
7. ANALOG SIGNAL IN

Note!!!
Mounting direction



Auxiliary DT-cable 65-3025-DT

"Click"

Auxiliary lights max 100W

